

SPRAY CHARACTERISTICS

- Highly uniform and stable distribution across the complete spray pattern with a knife-like cutting edge.
- Maximum impinging force produced with a minimum loss of energy resulting in higher efficiency.
- Spray patterns do not require overlapping.
- Nominal spray angles of 25° and 32°.

CONSTRUCTION AND MATERIALS

- Available in type 440 Hardened Stainless Steel.
- One piece construction and with 3/8" Male NPT thread

ORDER EXAMPLE

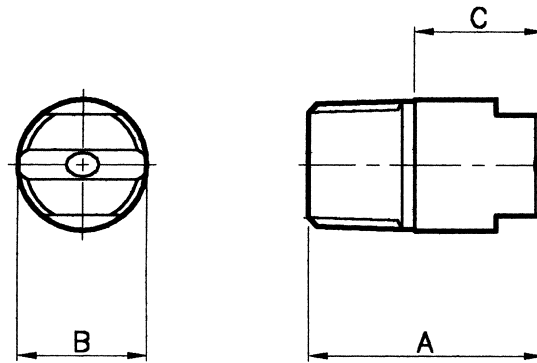
Nozzle Number 343-15.



DIMENSIONS AND WEIGHTS

Nozzle	Dimensions (mm)			Weight (g)
	A	B	C	
343	31,8	17,5	17,4	35

Nozzle Height (mm)	Coverage (mm) at 70 Bar.G.	
	25°	32°
200	127	152
225	146	165
250	156	181
275	168	194
300	181	210
325	188	222
350	200	238
400	222	264
450	245	289
500	260	305
550	273	318
600	286	324



Maximum Recommended Pressure: 275 Bar.G.

CAPACITY CHART

NOZZLE NUMBER	Equiv. Orif. Dia. (mm)	FLOW RATE IN LITRES/MIN AT Bar.G.																
		25°	32°	40	55	70	85	100	110	125	140	150	165	180	195	210	240	275
343-1 343-10	2,0	14,5	17,0	19,0	21,0	22,7	23,8	25,5	27,0	27,9	29,0	30,7	32,0	33,2	35,5	37,8		
343-3 343-12	2,8	28,7	33,7	38,2	42,2	45,5	47,7	51,0	53,8	55,7	58,6	61,0	63,6	66,0	70,6	75,6		
343-5 343-14	3,6	43,2	50,7	57,2	63,0	68,2	71,9	76,0	80,0	82,9	87,0	91,0	95,2	99,2	106	113		
343-6 343-15	4,0	57,7	67,8	76,3	84,5	92,5	94,6	103	107	113	117	121	126	134	140	151		
343-7 343-16	4,4	72,3	83,2	95,4	104	116	121	129	134	139	148	152	160	164	178	189		
343-8 343-17	4,8	85,7	102	114	127	135	144	152	160	166	174	182	190	198	212	227		

HIGH PRESSURE

TYPE 343

Contact our Helpline for any special requirements:
Tel: +44 (0) 151 424 6821
Fax: +44 (0) 151 495 1043
e-mail: sales@delavan.co.uk
Web: www.delavan.co.uk

