

## SPRAY CHARACTERISTICS

- Wide flat spray of liquid with even distribution except for the edges which have heavier deposit.
- Wide spray angles with water, at low pressure.
- Useful with steam or air for blow-off application.

## CONSTRUCTION AND MATERIALS

- Straight through slot shaped orifice.
- 3 piece construction, body, tip and cap nut.
- The tip has two flats to facilitate alignment.
- Optional body is available in a variety of threads.
- Thread sizes are Male BSPT and Female BSPP.
- Brass and Stainless Steel are standard.
- Other materials available to special order.

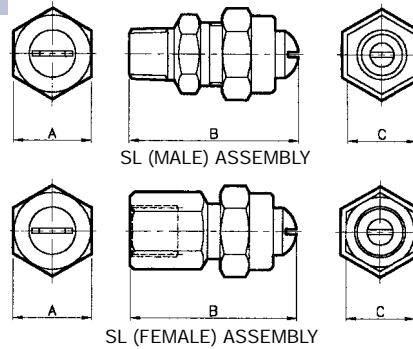
## ORDER EXAMPLE

SL 40 Stainless Steel = Tip Only.

1/4" SLF (Female) 18 Brass = Complete Assembly.

### DIMENSIONS AND WEIGHTS

Thread Size	Assembly Type	Dimensions (mm)			Weight (g)
		A Hex	B	C Hex	
1/8	SLF	20,8	46,0	18,0	69
1/4	SLM	20,8	46,0	18,0	61
1/4	SLF	20,8	46,0	18,0	68
3/8	SLM	20,8	46,0	18,0	63
3/8	SLF	20,8	46,0	20,8	69



Maximum Recommended Pressure: 70 Bar.G.

## WATER CAPACITY CHART

NOZZLE NUMBER	APPROX SLOT WIDTH (mm)	RECOMMENDED THREAD SIZE			FLOW RATE IN LITRE/MIN AT Bar.G.								SPRAY ANGLES (°) AT Bar.G.		
		1/8	1/4	3/8	0,7	1	2	3	4	5	7	1	3	7	
SL 10	0,25				1,1	1,4	1,7	2,1	2,4	2,7	3,2	85	100	105	
SL 14	0,35				1,2	1,5	2,0	2,3	2,6	3,0	3,5	85	100	105	
SL 18	0,45				1,6	1,9	2,6	3,0	3,4	3,8	4,5	75	90	95	
SL 24	0,60				2,1	2,5	3,5	4,0	4,6	5,1	6,0	90	90	100	
SL 31	0,80				2,7	3,2	4,5	5,2	5,9	6,6	7,8	80	90	100	
SL 40	1,00				3,7	4,3	6,0	8,8	10,1	11,3	13,3	90	95	110	
SL 46	1,20				4,2	5,0	6,9	10,1	11,6	13,0	15,3	95	110	115	
SL 93	2,40				12,4	14,9	20	26	31	35	41	80	85	90	

## AIR CAPACITY CHART

NOZZLE NUMBER	APPROX SLOT WIDTH (mm)	RECOMMENDED THREAD SIZE			FLOW RATE IN LITRE/MIN AT Bar.G.								SPRAY ANGLES (°) AT Bar.G.		
		1/8	1/4	3/8	0,7	1	2	3	4	5	7	1	3	7	
SL 10	0,25				35	46	56	69	78	88	105	80	95	100	
SL 14	0,35				39	49	65	75	85	98	114	80	95	100	
SL 18	0,45				52	62	85	98	111	124	147	70	85	90	
SL 24	0,60				69	82	114	131	150	167	196	75	85	95	
SL 31	0,80				88	105	147	170	193	216	255	75	85	100	
SL 40	1,00				121	141	196	288	330	370	435	85	90	105	
SL 46	1,20				137	164	226	330	379	425	500	90	105	110	
SL 93	2,40				405	487	654	850	101	1145	1341	75	80	85	

## STEAM CAPACITY CHART

NOZZLE NUMBER	APPROX SLOT WIDTH (mm)	RECOMMENDED THREAD SIZE			FLOW RATE IN Kg/HOUR AT Bar.G.								SPRAY ANGLES (°) AT Bar.G.		
		1/8	1/4	3/8	0,7	1	2	3	4	5	7	1	3	7	
SL 10	0,25				1,3	1,7	2,0	2,5	2,9	3,2	3,8	80	95	100	
SL 14	0,35				1,4	1,8	2,4	2,8	3,1	3,6	4,2	80	95	100	
SL 18	0,45				1,9	2,3	3,1	3,6	4,1	4,6	5,4	70	85	90	
SL 24	0,60				2,5	3,0	4,2	4,8	5,5	6,1	7,2	75	85	95	
SL 31	0,80				3,2	3,8	5,4	6,2	7,1	7,9	9,3	75	85	100	
SL 40	1,00				4,4	5,2	7,2	10,5	12,1	13,5	15,9	85	90	115	
SL 46	1,20				5,0	6,0	8,3	12,1	13,9	15,6	18,3	90	105	110	
SL 93	2,40				14,9	17,8	24,0	31,0	37,0	42,0	49,0	75	80	85	

SPECIAL PURPOSE

TYPE SL

Contact our Helpline for any special requirements:  
Tel: +44 (0) 151 424 6821  
Fax: +44 (0) 151 495 1043  
e-mail: sales@delavan.co.uk  
Web: www.delavan.co.uk

