



Handguns & Accessories

WELCOME TO DELAVAN

Meeting the **challenges**
of new
industries and *NEW markets*

59.5
DIA

25.4
DIA

BSPP

14.3

71.5

DELAVAN
Spray Technologies

SECTION INDEX

Item Type	Basic Description	Page No.
<i>HANDGUNS AND LANCES</i>	<i>Various high pressure handguns, lances and accessories.</i>	<i>J.1</i>
<i>EYELETS</i>	<i>1/2"-1 1/2" N.B. Eyelets with various outlet connections for nozzles.</i>	<i>J.2-3</i>
<i>STRAINERS</i>	<i>3/4"-1 1/2" 'Y' line strainers with various mesh sizes. Polypropylene and Nylon.</i>	<i>J.4-5</i>
<i>BODIES</i>	<i>1/8"-3/8" BSPT Male and BSPP Female threads for use with flanged type nozzles.</i>	<i>J.6</i>
<i>CAPS</i>	<i>3/8" BSPP and 1 1/16"-16 UN threaded for use with the above bodies.</i>	<i>J.6</i>
<i>FILTERS</i>	<i>Flanged filters with various mesh sizes for use with the above.</i>	<i>J.7</i>
<i>SWIVELS</i>	<i>1/8"-1/4" NPT Female and 1/4" NPT Male inlets with outlet for above caps with flanged type nozzles.</i>	<i>J.7</i>
<i>BALL CHECK</i>	<i>1/8"-1/4" NPT threaded check valves for use with threaded nozzles or flanged type nozzles.</i>	<i>J.8</i>
<i>ADAPTORS</i>	<i>1/8"-1" BSPT Male and BSPP Female x 90° adaptor for use with threaded nozzles.</i>	<i>J.9</i>
<i>HNS</i>	<i>1/8"-1" BSPP Female threaded sockets for use with threaded nozzles.</i>	<i>J.9</i>
<i>ADJUSTABLE JOINTS</i>	<i>1/8"-1" Male/Female adjustable joint with various angles of inclination.</i>	<i>J.10</i>

HANDGUNS & ACCESSORIES

Contact our Helpline for any special requirements:
Tel: +44 (0) 151 424 6821
Fax: +44 (0) 151 495 1043
e-mail:sales@delavan.co.uk
Web:www.delavan.co.uk



FEATURES

- Manufactured in a range of flows and pressures.
- Various models in different styles.
- Trigger lock-off for safety.
- A range of compatible hand lances and accessories are available.

CONSTRUCTION AND MATERIALS

- Body, handle and trigger in Glass Reinforced Polyamide.
- Valve body in Brass.
- Plunger and spring in Stainless Steel.
- Liquid inlet integrated into handle in some models.



PART NUMBER	DESCRIPTION	TYPE	MAX. FLOW (LPM)	MAX. PRESS. (Bar.G.)	MAX. TEMP. (°C)	INLET CONN. (BSP)	OUTLET CONN. (BSP)	LENGTH OF LANCE (mm)
W09114*	Handgun	ST 2000	40	250	160	3/8" Fem	1/4" Fem	
W09115	Handgun	ST 601	40	250	160	3/8" Fem	1/4" Fem	
W13063	Handgun	ST 810	30	200	160	3/8" Fem	1/4" Fem	
W13064*	Handgun	ST 1500	40	250	150	3/8" Fem	1/4" Fem	
W13065	Handgun	ST 3002	100	250	150	1/2" Male	1/2" Fem	
W13066	Handgun	ST 3001	100	500	150	1/2" Male	1/2" Fem	
W09116	Hand Lance	ST 007	40	250	160	1/4" Male	1/4" Male	500
W09117	Hand Lance	ST 007	40	250	160	1/4" Male	1/4" Male	800
W09118	Hand Lance	ST 007	40	250	160	1/4" Male	1/4" Male	1000
W09119-1	Twin Lance	ST 53	40	250	160	1/4" Male	1/4" Fem	
W09119-2	Twin Lance	ST 54	40	250	160	1/4" Male	1/4" Fem	
W13067	H.P. Hand Lance	ST 3001/ v	100	500	150	1/2" Male	1/4" Fem	500
W13068	H.P. Hand Lance	ST 3001/ v	100	500	150	1/2" Male	1/4" Fem	1000
W09121	Adjustable Nozzle	ST 51N	30	250	80	1/4" Fem	1/4" Fem	
W09122	Rollover Nozzle	ST 56	30	250	150	1/4" Fem	2 x 1/4" Fem	
W13070-1	Turbo Nozzle	ST 57	30	180	80	1/4" Fem	Turbo	
W13070-2	Turbo Nozzle	ST 357	80	180	80	1/4" Fem	Turbo	
W13070-3	Turbo Nozzle	ST 457	120	180	80	1/4" Fem	Turbo	
W13069	Suction Filter	ST 35	-	-	-	1/2" - 3/4"	-	
								Hosetail
W09120-1	Siphon Injector (1,8mm)	ST 60	8,5	250	150	3/8" Male	3/8" Fem	
W09120-2	Siphon Injector (2,1mm)	ST 60	12,6	250	150	3/8" Male	3/8" Fem	
W09120-3	Siphon Injector (2,4mm)	ST 60	18,9	250	150	3/8" Male	3/8" Fem	
W09123-1	Coupling	ST 40		250	150	22 x 1,5mm	1/4" Male	
W09123-2	Coupling	ST 40		250	150	22 x 1,5mm	1/4" Fem	
W09123-3	Coupling	ST 40		250	150	22 x 1,5mm	3/8" Male	
W09123-4	Coupling	ST 40		250	150	22 x 1,5mm	3/8" Fem	
W09123-5	Coupling	ST 40		250	150	22 x 1,5mm	1/2" Fem	
W09124-1	Nipple	ST 41		250	150	1/4" Fem	22 x 1,5mm	
W09124-2	Nipple	ST 41		250	150	1/4" Male	22 x 1,5mm	
W09124-3	Nipple	ST 41		250	150	3/8" Fem	22 x 1,5mm	
W09124-4	Nipple	ST 41		250	150	3/8" Male	22 x 1,5mm	
W09124-5	Nipple	ST 41		250	150	1/2" Male	22 x 1,5mm	

*Fitted with inlet swivel as standard.

ACCESSORIES

HANDGUNS & LANCES

Contact our Helpline for any special requirements:
Tel: +44 (0) 151 424 6821
Fax: +44 (0) 151 495 1043
e-mail: sales@delavan.co.uk
Web: www.delavan.co.uk



FEATURES

- Delavan threaded eyelets offer the most economical method of attaching spray nozzles to pipe systems.
- Can be used as a Tee piece with PVC or Poly. pipes in place of a solvent welded or threaded unit.
- 1 1/16"-16 and 3/8" BSP outlets will accept all standard flanged nozzle tips and filters.
- Ease of installation. Only a single hole is required in the pipe with a single screw for attachment.
- Light weight with excellent chemical resistance through materials of construction.
- The body design provides leak proof service, facilitating high flowrates with minimum pressure drop.
- Allows the use of thin wall tubing in pipe systems for reduced cost.

CONSTRUCTION AND MATERIALS

- One piece design, hinged bridge and locking screw.
- Twin outlet bodies are also available in 1/2" and 3/4".
- Polypropylene, Nylon and Steel are available as standard. (Steel eyelets have plated Steel clamp with wetted outlet in Brass or Stainless Steel.)

ORDER EXAMPLE

- W06046 (3/4" NB x 3/8" BSPPM – Poly. Eyelet).

SELECTION CHART

Part Number	SIZE (NB)	MATERIAL	OUTLET	HOLE	SEAL	SCREW
36977	1/2"	St/Br	1 1/16"-16	8,75	37052-2	26139
W11396-2	1/2"	St/SS	1 1/16"-16	8,75	37052-2	26139
W11396-11	1/2"	St/Br	1/8" NPTF	8,75	37052-2	26139
W11396-1	1/2"	St/SS	1/8" NPTF	8,75	37052-2	26139
W11396-13	1/2"	St/Br	1/8" BSPF	8,75	37052-2	26139
W11396-3	1/2"	St/SS	1/8" BSPF	8,75	37052-2	26139
W11396-14	1/2"	St/Br	1/4" BSPF	8,75	37052-2	26139
W11396-4	1/2"	St/SS	1/4" BSPF	8,75	37052-2	26139
W11396-15	1/2"	St/Br	1/8" NPTM	8,75	37052-2	26139
W11396-5	1/2"	St/SS	1/8" NPTM	8,75	37052-2	26139
W11396-16	1/2"	St/Br	1/4" NPTM	8,75	37052-2	26139
W11396-6	1/2"	St/SS	1/4" NPTM	8,75	37052-2	26139
W11396-17	1/2"	St/Br	1/8" BSPTM	8,75	37052-2	26139
W11396-7	1/2"	St/SS	1/8" BSPTM	8,75	37052-2	26139
W11396-18	1/2"	St/Br	1/4" BSPTM	8,75	37052-2	26139
W11396-8	1/2"	St/SS	1/4" BSPTM	8,75	37052-2	26139
W11396-19	1/2"	St/Br	3/8" BSPTM	8,75	37052-2	26139
W11396-9	1/2"	St/SS	3/8" BSPTM	8,75	37052-2	26139
W11396-20	1/2"	St/Br	3/8" BSPPM	8,75	37052-2	26139
W11396-10	1/2"	St/SS	3/8" BSPPM	8,75	37052-2	26139
10001	1/2"	Nylon	1 1/16" - 16	5,60	4010-1	45202
W06045	1/2"	Poly.	1 1/16" - 16	10,3	W16250-310	45202-3
W10878-1	1/2"	Poly.	1/8" NPTF x2	10,3	W16250-310	45202-3
W10878-2	1/2"	Poly.	1/8" NPTF x2	10,3	W16250-310	45202-3
W12048-1	1/2"	Poly.	3/8" BSPM x2	10,3	W16250-310	45202-3
W16901-2	1/2"	Poly.	1/4" NPTM	10,3	W16250-310	45202-3

Contact our Helpline for any special requirements:
Tel: +44 (0) 151 424 6821
Fax: +44 (0) 151 495 1043
e-mail:sales@delavan.co.uk
Web:www.delavan.co.uk

SELECTION CHARTS

Part Number	SIZE (NB)	MATERIAL	OUTLET	HOLE	SEAL	SCREW
36977	3/4"	St/Br	11/16"-16	8,75	37052-2	26139
W11473-2	3/4"	St/SS	11/16"-16	8,75	37052-2	26139
W11473-11	3/4"	St/Br	1/8" NPTF	8,75	37052-2	26139
W11473-1	3/4"	St/SS	1/8" NPTF	8,75	37052-2	26139
W11473-13	3/4"	St/Br	1/8" BSPF	8,75	37052-2	26139
W11473-3	3/4"	St/SS	1/8" BSPF	8,75	37052-2	26139
W11473-14	3/4"	St/Br	1/4" BSPF	8,75	37052-2	26139
W11473-4	3/4"	St/SS	1/4" BSPF	8,75	37052-2	26139
W11473-15	3/4"	St/Br	1/8" NPTM	8,75	37052-2	26139
W11473-5	3/4"	St/SS	1/8" NPTM	8,75	37052-2	26139
W11473-16	3/4"	St/Br	1/4" NPTM	8,75	37052-2	26139
W11473-6	3/4"	St/SS	1/4" NPTM	8,75	37052-2	26139
W11473-17	3/4"	St/Br	1/8" BSPTM	8,75	37052-2	26139
W11473-7	3/4"	St/SS	1/8" BSPTM	8,75	37052-2	26139
W11473-18	3/4"	St/Br	1/4" BSPTM	8,75	37052-2	26139
W11473-8	3/4"	St/SS	1/4" BSPTM	8,75	37052-2	26139
W11473-19	3/4"	St/Br	3/8" BSPTM	8,75	37052-2	26139
W11473-9	3/4"	St/SS	3/8" BSPTM	8,75	37052-2	26139
W11473-20	3/4"	St/Br	3/8" BSPPM	8,75	37052-2	26139
W11473-10	3/4"	St/SS	3/8" BSPPM	8,75	37052-2	26139
10000-2	3/4"	Nylon	11/16"-16	10,3	4010-2	45202
W06046	3/4"	Poly.	3/8" BSPPM	10,3	W16250-310	45202-3
W10817-3	3/4"	Poly.	1/4" NPTF x2	10,3	W16250-310	45202-3
W10817-4	3/4"	Poly.	1/4" NPTF x2	10,3	W16250-310	45202-3
W10817-2	3/4"	Poly.	3/8" BSPM x2	10,3	W16250-310	45202-3
W16901-1	3/4"	Poly.	1/4" NPTM	10,3	W16250-310	45202-3

Part Number	SIZE (NB)	MATERIAL	OUTLET	HOLE	SEAL	SCREW
36979	1"	St/Br	11/16"-16	8,75	37052-2	26139
W11474-2	1"	St/SS	11/16"-16	8,75	37052-2	26139
W11474-11	1"	St/Br	1/8" NPTF	8,75	37052-2	26139
W11474-1	1"	St/SS	1/8" NPTF	8,75	37052-2	26139
W11474-13	1"	St/Br	1/8" BSPF	8,75	37052-2	26139
W11474-3	1"	St/SS	1/8" BSPF	8,75	37052-2	26139
W11474-14	1"	St/Br	1/4" BSPF	8,75	37052-2	26139
W11474-4	1"	St/SS	1/4" BSPF	8,75	37052-2	26139
W11474-15	1"	St/Br	1/8" NPTM	8,75	37052-2	26139
W11474-5	1"	St/SS	1/8" NPTM	8,75	37052-2	26139
W11474-16	1"	St/Br	1/4" NPTM	8,75	37052-2	26139
W11474-6	1"	St/SS	1/4" NPTM	8,75	37052-2	26139
W11474-17	1"	St/Br	1/8" BSPTM	8,75	37052-2	26139
W11474-7	1"	St/SS	1/8" BSPTM	8,75	37052-2	26139
W11474-18	1"	St/Br	1/4" BSPTM	8,75	37052-2	26139
W11474-8	1"	St/SS	1/4" BSPTM	8,75	37052-2	26139
W11474-19	1"	St/Br	3/8" BSPTM	8,75	37052-2	26139
W11474-9	1"	St/SS	3/8" BSPTM	8,75	37052-2	26139
W11474-20	1"	St/Br	3/8" BSPPM	8,75	37052-2	26139
W11474-10	1"	St/SS	3/8" BSPPM	8,75	37052-2	26139
W06043	1"	Poly.	3/8" BSPPM	10,3	W16250-310	45202-3
W16807	1"	Poly.	1/4" NPTM	10,3	W16250-310	45202-3

Part Number	SIZE (NB)	MATERIAL	OUTLET	HOLE	SEAL	SCREW
W10046-1	11/4"	Poly.	3/8" BSPPM	20	W10371	W04091
W10046-2	11/4"	Poly.	1/2" BSPPM	20	W10371	W04091
W10046-3	11/4"	Poly.	3/4" BSPPM	20	W10371	W04091
W10046-4	11/4"	Poly.	1" BSPPM	20	W10371	W04091
W10046-5	11/2"	Poly.	3/8" BSPPM	20	W10371	W04091
W10046-6	11/2"	Poly.	1/2" BSPPM	20	W10371	W04091
W10046-7	11/2"	Poly.	3/4" BSPPM	20	W10371	W04091
W10046-8	11/2"	Poly.	1" BSPPM	20	W10371	W04091

Contact our Helpline for any special requirements:
Tel: +44 (0) 151 424 6821
Fax: +44 (0) 151 495 1043
e-mail:sales@delavan.co.uk
Web:www.delavan.co.uk





39908 and 39911 Y-TYPE LINE STRAINER

FEATURES

- O-ring sits on a special chamber to seal against leaking and for easy removal of cap for cleaning.
- Body configuration turns the liquid flow, the strainer acts as a plumbing elbow and plugs less due to internal flow design.
- Cap can be removed with the help of a slot in the cap. Use a screwdriver, etc. through the slot to loosen cap.

CONSTRUCTION AND MATERIALS

- Made of Nylon with Stainless Steel screens and Viton O-rings.
- A new coarse buttress thread is featured on the cap for ease of installation and removal (two turns only).
- Strainer 39908 weighs approx. 269g.
- Strainer 39911 weighs approx. 666g.

REPLACEMENT SEALS

- 31352-226 for 39908 Strainers.
- 31352-234 for 39911 Strainers.

CAPACITY CHART

PART NUMBER	INLET/OUTLET THREAD SIZE NPTF	Screen Information				
		PART NUMBER OF SCREEN	MESH SIZE	SIZE OF OPENINGS (mm)	STRAINER AREA (cm ²)	EFFECTIVE STRAINER AREA (cm ²)
39908-3	3/4"	31500-3	20	0,84	145	66
39908-2	3/4"	31500-1	40	0,46	145	55
39908-1	3/4"	31500-4*	80	0,18	145	46
39908-7	3/4"	31500-8	100	0,13	145	39
39908-6	1"	31500-3	20	0,84	145	66
39908-5	1"	31500-1	40	0,46	145	55
39908-4	1"	31500-4*	80	0,18	145	46
39908-8	1"	31500-8	100	0,13	145	39
39911-4	1 1/4"	25157	20	0,84	145	152
39911-5	1 1/4"	25156	40	0,46	145	126
39911-6	1 1/4"	32876	10	1,96	145	195
39911-7	1 1/4"	50321-1	80	0,18	145	46
39911-8	1 1/4"	50321-2	100	0,13	145	46
39911-1	1 1/2"	25257	20	0,84	330	152
39911-2	1 1/2"	25156	40	0,46	330	126
39911-3	1 1/2"	32876	10	1,97	330	195
39911-9	1 1/2"	50321-2	80	0,18	145	46
39911-10	1 1/2"	50321-2	100	0,13	145	39

* 20-mesh outer and 80-mesh inner screen.

Maximum Recommended Pressure:
39908 Strainer (3/4" and 1"): 10 Bar.G. (150 psig).
39911 Strainer (1 1/4" and 1 1/2"): 5 Bar.G. (75 psig).

Contact our Helpline for any special requirements:
Tel: +44 (0) 151 424 6821
Fax: +44 (0) 151 495 1043
e-mail:sales@delavan.co.uk
Web:www.delavan.co.uk

45946 and 45992 Y-TYPE LINE STRAINER

FEATURES

- Low cost strainer that removes contaminants from the line.
- Easily flushed by removing cap.

CONSTRUCTION AND MATERIALS

- Made of Glass-filled Polypropylene with Stainless Steel screens and EPDM seals.
- Strainer 45946 weighs approx. 211g.
- Strainer 45992 weighs approx. 666g.
- 45992 should be used only as a suction strainer.

REPLACEMENT SEALS

- 45950 EPDM Seal for 45946.
- 32627-237 EPDM O-ring for 45992.



CAPACITY CHART

PART NUMBER	INLET/OUTLET THREAD SIZE NPTF	Screen Information				
		PART NUMBER OF SCREEN	MESH SIZE	SIZE OF OPENINGS (mm)	STRAINER AREA (cm ²)	EFFECTIVE STRAINER AREA (cm ²)
45946-3	3/4"	31500-3	20	0,84	145	66
45946-2	3/4"	31500-1	40	0,46	145	55
45946-1	3/4"	31500-4 *	80	0,18	145	46
45946-7	3/4"	31500-8	100	0,13	145	39
45946-6	1"	31500-3	20	0,84	145	66
45946-5	1"	31500-1	40	0,46	145	55
45946-4	1"	31500-4 *	80	0,18	145	46
45946-8	1"	31500-8	100	0,13	145	39
45992-1 (see caution)	1 1/2"	25157	20	0,84	330	152
45992-2 (see caution)	1 1/2"	25156	40	0,46	330	126
45992-3 (see caution)	1 1/2"	32876	10	1,97	330	195
45992-4	1 1/2"	50321-1	80	0,18	145	46
45992-5	1 1/2"	50321-2	100	0,13	145	46

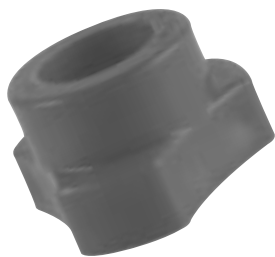
* 20-mesh outer and 80-mesh inner screen.

Maximum Recommended Pressure: 3.5 Bar.G.

ACCESSORIES

Y-LINE STRAINERS

Contact our Helpline for any special requirements:
Tel: +44 (0) 151 424 6821
Fax: +44 (0) 151 495 1043
e-mail:sales@delavan.co.uk
Web:www.delavan.co.uk



NOZZLE BODIES

CHARACTERISTICS

- These are designed to accept any standard flanged tip from the standard nozzle range.
- Will accept the caps from the list below.

CONSTRUCTION AND MATERIALS

- Available in Brass and Stainless Steel as standard.
- Thread sizes are Male BSPT, Female BSPP and NPT Male and Female.
- Other materials available to special order.

NOZZLE BODIES

THREAD SIZE	MATERIAL	PART NUMBER		CAP THREAD
		MALE	FEMALE	
1/8" BSP	Brass	32011-1	32012-1	3/8" BSPP
1/8" BSP	Stainless Steel	32011-3	32012-3	3/8" BSPP
1/4" BSP	Brass	32013-1	32014-1	3/8" BSPP
1/4" BSP	Stainless Steel	32013-3	32014-3	3/8" BSPP
3/8" BSP	Brass	32016-1	32017-1	3/8" BSPP
3/8" BSP	Stainless Steel	32016-3	32017-3	3/8" BSPP
1/8" NPT	Brass	1171-1	1173-1	11/16"-16 UN
1/8" NPT	Stainless Steel	1171-3	1173-3	11/16"-16 UN
1/4" NPT	Brass	1167-1	1169-1	11/16"-16 UN
1/4" NPT	Stainless Steel	1167-3	1169-3	11/16"-16 UN
3/8" NPT	Brass	50701-1	50702-1	11/16"-16 UN
3/8" NPT	Stainless Steel	50701-2	50702-2	11/16"-16 UN
1/4" NPT	Nylon	8474	-	11/16"-16 UN

NOZZLE CAPS

CHARACTERISTICS

- Designed to fit nozzle bodies, eyelets and swivels from the standard range.

CONSTRUCTION AND MATERIALS

- Available in Brass, Stainless Steel, Polypropylene and Nylon.
- Refer to chart for thread sizes and part numbers.
- Other materials available to special order.

NOZZLE CAPS

PART NUMBER	THREAD SIZE	MATERIAL
W00105-1	3/8" BSPP	Stainless Steel
W00105-2	3/8" BSPP	Brass
W01783	3/8" BSPP	Polypropylene
1165-1	11/16"-16 UN	Brass
1165-3	11/16"-16 UN	Stainless Steel
8475	11/16"-16 UN	Nylon

Contact our Helpline for any special requirements:
Tel: +44 (0) 151 424 6821
Fax: +44 (0) 151 495 1043
e-mail: sales@delavan.co.uk
Web: www.delavan.co.uk

THREADED FILTER (SC TYPE)

- For use with WM, WG and WA nozzle range.

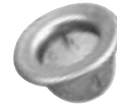
Part Number	Mesh	Material
W00089-101	40	Brass
W00089-301	40	Stainless Steel
W00089-102	80	Brass
W00089-302	80	Stainless Steel
W00089-103	200	Brass
W00089-303	200	Stainless Steel



DOME FILTER (FC TYPE)

- For use with standard flanged nozzles such as LF and BF.

Part Number	Mesh	Material
W00091-1	50	Stainless Steel
W00091-3	80	Stainless Steel
W00091-2	50	Phosphor Bronze
W00091-4	80	Phosphor Bronze



FLANGED FILTER

- For use with standard flanged nozzles.

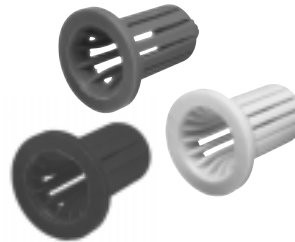
Part Number	Mesh	Material
28175-1	50	Stainless Steel
28175-2	100	Stainless Steel
28175-3	50	Brass
28175-4	100	Brass
28175-11	150	Brass
28175-7	200	Brass
28175-10	200	Stainless Steel
28175-13	24	Stainless Steel
28175-14	24	Brass
26642-1	50	Glass-filled Poly.
26642-2	100	Glass-filled Poly.
26642-3	150	Glass-filled Poly.
26642-4	200	Glass-filled Poly.
26642-7	24	Glass-filled Poly.



SLOTTED FILTER (NYLAFIL)

- Primarily for use with DC nozzle assemblies but can be used with standard flanged nozzles.

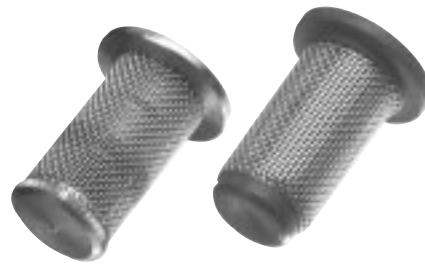
Part Number	Mesh	Material	Slot Width
19410-1	50	Glass-filled Nylon	0.36 (mm)
19410-2	25	Glass-filled Nylon	0.56 (mm)
19410-3	16	Glass-filled Nylon	0.84 (mm)



BALL CHECK STRAINER

- For use with standard flanged nozzles to help stop dripping after pressure shut off.

Part Number	Spring Press.	Mesh	Material
35288-1	5 PSI	50	Brass
35288-2	5 PSI	100	Brass
35288-6	5 PSI	24	Brass
35288-7	5 PSI	50	Stainless Steel
35288-8	5 PSI	100	Stainless Steel
35288-9	5 PSI	24	Stainless Steel
35288-10	5 PSI	200	Stainless Steel
50136-1	5 PSI	50	Nylon
50136-2	5 PSI	100	Nylon
49420-1	10 PSI	50	Brass
49420-2	10 PSI	100	Brass
49420-3	10 PSI	200	Brass
49420-6	10 PSI	24	Brass



SWIVELS

- These have single or double outlet connections for use with standard flanged nozzles and filters to enable positioning of sprays.

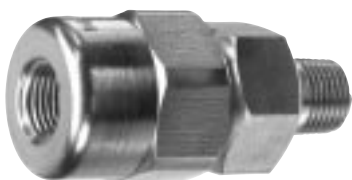
Part Number	Type	Material	Inlet	Outlet
33764-1	Single	Brass	1/8" NPTF	11/16"-16 UN
33764-2	Single	Brass	1/4" NPTF	11/16"-16 UN
33765-2	Double	Brass	1/4" NPTF	11/16"-16 UN
33764-3	Single	Brass	1/4" NPTM	11/16"-16 UN
33765-3	Double	Brass	1/4" NPTM	11/16"-16 UN
30387-8	Single	Nylon	1/8" NPTF	11/16"-16 UN
30384-7	Double	Nylon	1/8" NPTF	11/16"-16 UN
30387-9	Single	Nylon	1/4" NPTF	11/16"-16 UN
30384-8	Double	Nylon	1/4" NPTF	11/16"-16 UN
30387-12	Single	Nylon	1/4" NPTF	11/16"-16 UN
30384-11	Double	Nylon	1/4" NPTF	11/16"-16 UN



ACCESSORIES

FILTERS & SWIVELS

Contact our Helpline for any special requirements:
Tel: +44 (0) 151 424 6821
Fax: +44 (0) 151 495 1043
e-mail:sales@delavan.co.uk
Web:www.delavan.co.uk



BALL CHECK VALVE



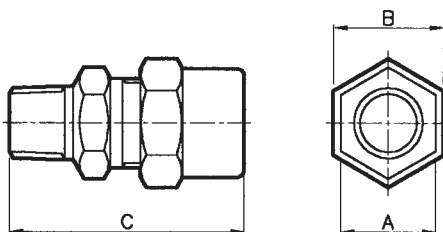
BALL CHECK NOZZLE

FEATURES

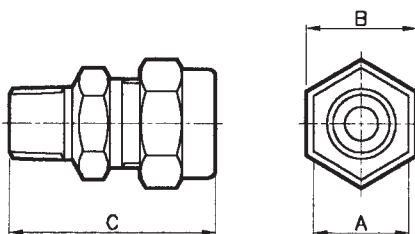
- Especially designed to stop drooling or dripping in car washing or other cleaning applications to prevent line from emptying during wash cycles.
- The Ball Check Valve Assembly is for use with standard 1/8" and 1/4" NPT Male threaded nozzles.
- The Ball Check Nozzle Assembly is for use with standard flanged type nozzles.
- Available with spring pressures of 0,2, 0,35 and 0,7 Bar.G.

CONSTRUCTION AND MATERIALS

- 1/8" or 1/4" NPT Male threaded inlets.
- Available in Brass, Stainless Steel and Nylon.
- Ball and spring are Stainless Steel.
- Seal washer is Nylon.



BALL CHECK VALVE



BALL CHECK NOZZLE

DIMENSIONS (mm)

Assembly Size	A Hex	B Hex	C
1/8"	17,5	20,7	43,7
1/4"	17,5	20,7	44,5

DIMENSIONS (mm)

Assembly Size	A Hex	B Hex	C
1/8"	17,5	20,7	38,7
1/4"	17,5	20,7	39,5

BALL CHECK VALVE ASSEMBLY

ASSEMBLY NUMBER			INLET NPTM	OUTLET NPTF	SPRING PRESSURE	SPRING PART No.	BALL PART No.	WASHER PART No.
BRASS	STAINLESS STEEL	NYLON						
28800-1			1/8"	1/8"	0,7 Bar	27211	13809	37538
28800-26	28800-36		1/4"	1/4"	0,35 Bar	27211	13809	37538
		37444-1	1/4"	1/4"	0,7 Bar	27211	13809	37538
		37444-4	1/4"	1/4"	0,2 Bar	50375	13809	37538

BALL CHECK NOZZLE ASSEMBLY

ASSEMBLY NUMBER			INLET NPTM	SPRING PRESSURE	SPRING PART No.	BALL PART No.	WASHER PART No.
BRASS	STAINLESS STEEL	NYLON					
29800-1			1/8"	0,7 Bar	27211	13809	37538
29800-13	29800-17		1/4"	0,35 Bar	27211	13809	37538
		37444-3	1/4"	0,7 Bar	27211	13809	37538

Contact our Helpline for any special requirements:
Tel: +44 (0) 151 424 6821
Fax: +44 (0) 151 495 1043
e-mail:sales@delavan.co.uk
Web:www.delavan.co.uk



HEADER NOZZLE SOCKET

FEATURES

- Used for welding or brazing to spray pipe/manifold assemblies to enable Male threaded nozzles to be fitted.

CONSTRUCTION AND MATERIALS

- Available with Female BSPP threads only.
- Available in Brass, Stainless Steel and Mild Steel.
- Other materials available to special order.
- Refer to chart for pipe drilled hole size.

ORDER EXAMPLE

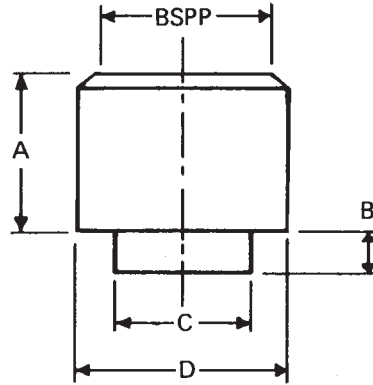
HNS 500 Stainless Steel.



HEADER NOZZLE SOCKETS

Dimensions (mm)

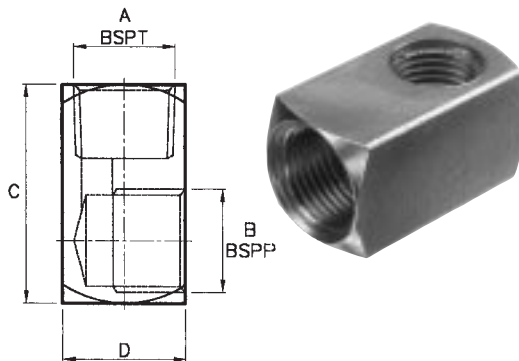
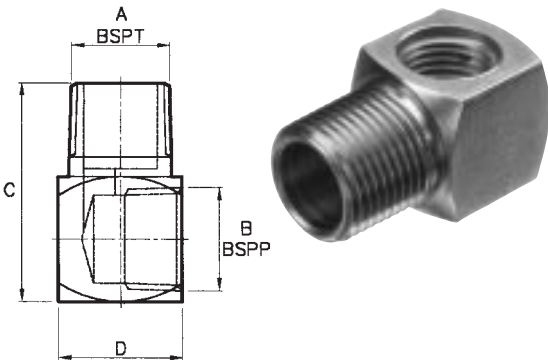
HNS Number	Thread Size	A	B	C	D	Hole Size
125	1/8"	12,7	3,2	9,1	14,3	9,5
250	1/4"	15,9	3,2	15,1	19,1	15,9
375	3/8"	19,1	3,2	15,1	25,4	15,9
500	1/2"	22,3	4,8	21,8	31,8	22,2
750	3/4"	22,3	4,8	21,8	31,8	22,2
1000	1"	25,4	6,4	31,4	38,1	31,8



ADAPTORS

FEATURES

- 90° adaptor for positioning of nozzles.
- Available with thread sizes 1/8"-1" BSPT Male and BSPP Female.
- Available in Brass and Stainless Steel.
- Other materials available to special order.



Male Adaptor

PART NUMBER		A	B	mm	
STAINLESS STEEL	BRASS	Thread size	Thread size	C	D
W00081-1	W00081-2	1/4"	1/8"	28,4	15,7
W00318-1	W00318-2	1/4"	1/4"	28,4	15,7
W00082-1	W00082-2	3/8"	1/4"	34,8	19,1
W00319-1	W00319-2	3/8"	3/8"	34,8	19,1
W00083-1	W00083-2	1/2"	3/8"	44,5	25,4
W00320-1	W00320-2	1/2"	1/2"	44,5	25,4
W00084-1	W00084-2	3/4"	1/2"	57,2	31,8
W00194-1	W00194-2	3/4"	3/4"	57,2	31,8
W00085-1	W00085-2	1"	3/4"	76,2	38,1
W00468-1	W00468-2	1"	1"	76,2	38,1

Female Adaptor

Part Number		A	B	mm	
Stainless Steel	Brass	Thread size	Thread size	C	D
W00216-1	W000216-2	1/4"	1/8"	28,4	15,7
W00464-1	W00464-2	1/4"	1/4"	28,4	15,7
W00217-1	W00217-2	3/8"	1/4"	34,8	19,1
W00463-1	W00463-2	3/8"	3/8"	34,8	19,1
W00218-1	W00218-2	1/2"	3/8"	44,5	25,4
W00462-1	W00462-2	1/2"	1/2"	44,5	25,4
W00219-1	W00219-2	3/4"	1/2"	57,2	31,8
W00196-1	W00196-2	3/4"	3/4"	57,2	31,8
W00220-1	W00220-2	1"	3/4"	76,2	38,1
W00470-1	W00470-2	1"	1"	76,2	38,1

Contact our Helpline for any special requirements:
Tel: +44 (0) 151 424 6821
Fax: +44 (0) 151 495 1043
e-mail:sales@delavan.co.uk
Web:www.delavan.co.uk

ACCESSORIES

HNS & ADAPTORS





FEATURES

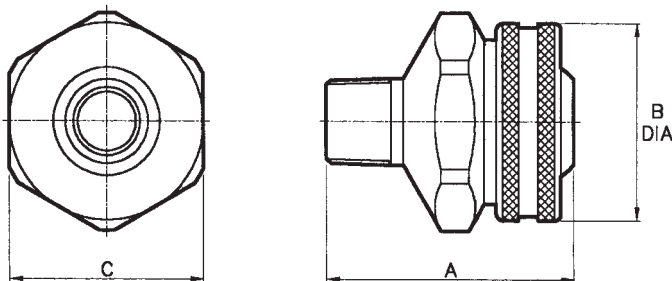
- Facilitates finger-tight nozzle adjustment without disturbing piping system.
- No tools required for repositioning.
- Positive O-ring seal handles pressures up to 35 Bar.G.
- No internal obstructions.
- Complete 360° radial adjustment.
- Up to 50° angular adjustment.

CONSTRUCTION AND MATERIALS

- Available with Male BSPT inlet connections and Female BSPP outlets.
- Available in Brass and Stainless Steel.
- Other materials available to special order.

ORDER EXAMPLE

W09111-4 (3/8" x 1/4") Stainless Steel.



CAPACITY CHART

ASSEMBLY NUMBER	INLET SIZE BSPT	OUTLET SIZE BSPP	DIMENSIONS (mm)			ANGULAR ADJUSTMENT (°)
			A	B	C Hex	
W09111-1	1/8"	1/8"	28,6	25,4	20,8	50
W09111-2	1/4"	1/8"	28,6	25,4	20,8	50
W09111-3	1/4"	1/4"	34,9	31,8	25,7	50
W09111-4	3/8"	1/4"	34,9	31,8	25,7	50
W09111-5	3/8"	3/8"	44,5	38,1	31,8	40
W09111-6	1/2"	1/2"	55,6	44,5	31,8	40
W09111-7	3/4"	3/4"	61,1	50,8	38,0	40
W09111-8	1"	1"	75,0	70,0	60,0	40

Contact our Helpline for any special requirements:
Tel: +44 (0) 151 424 6821
Fax: +44 (0) 151 495 1043
e-mail: sales@delavan.co.uk
Web: www.delavan.co.uk